

Setting up the Multitech MT5600BL Modem for 4WLL

The following sets the modem for Answer Mode, 9600 Baud Serial, 9600 Baud Modem Speed, Ignore DTR, No Flow Control.

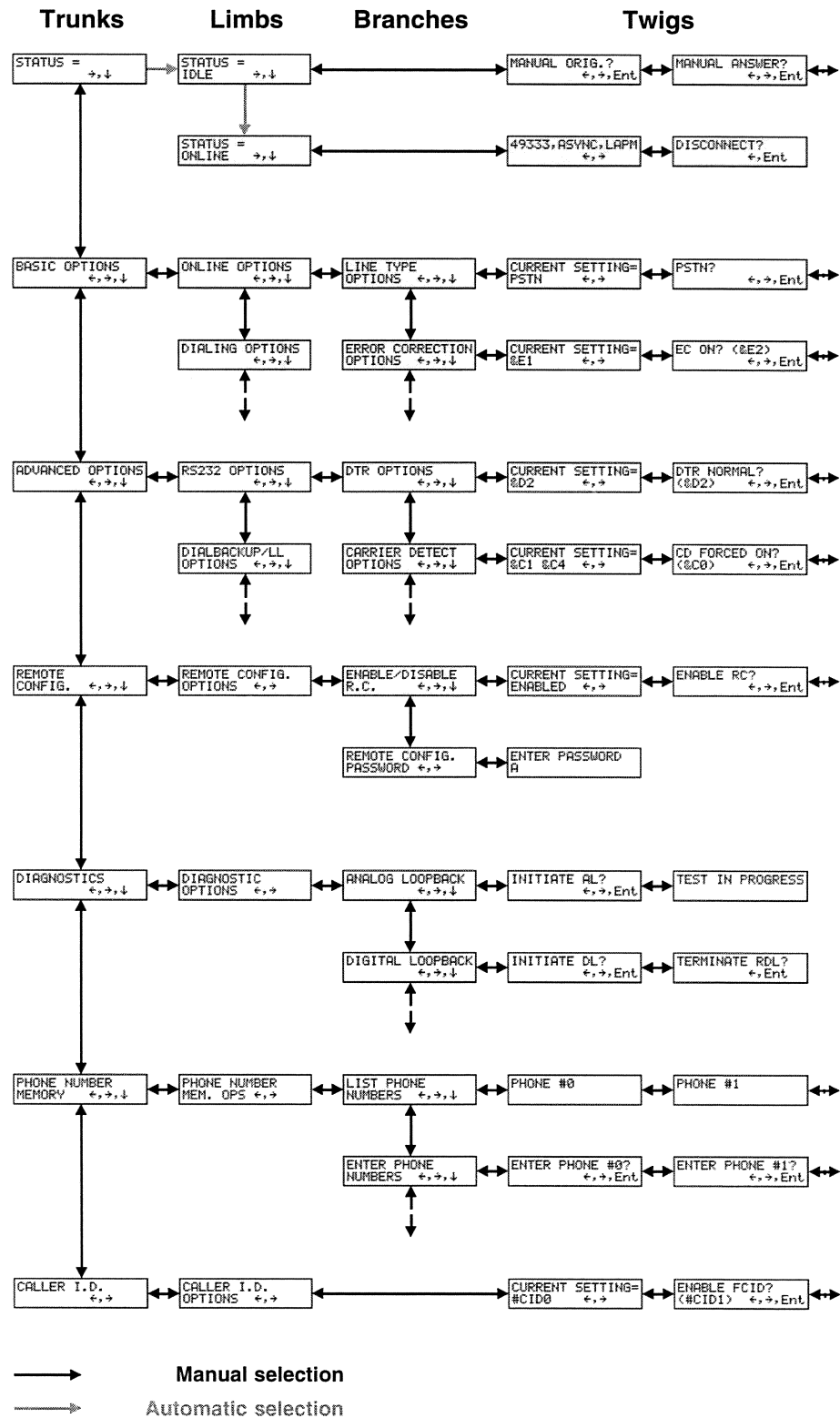
Key	
Letter	Means press the button with arrows pointing
U	Up (and left)
D	Down
R	Right

0. All sequences start from the screen saying STATUS = ...
After each numbered sequence below, press U repeatedly until you get the STATUS screen again.
1. Restore Factory Defaults: D R D D D D R Enter
2. 4W Leased Line Answer Mode: D (R*8) Enter
3. 4W Leased Line Originate Mode: D (R*7) Enter
4. Serial Baud Rate, Modem Speed: D R (D*5) (R*7) Enter U
R D (R*6) Enter
5. Ignore DTR: D D (R*5) Enter
6. No Flow Control: D R R D D (R*4) Enter

Be sure something actually changes on the LCD when you push a button, or you could lose count!

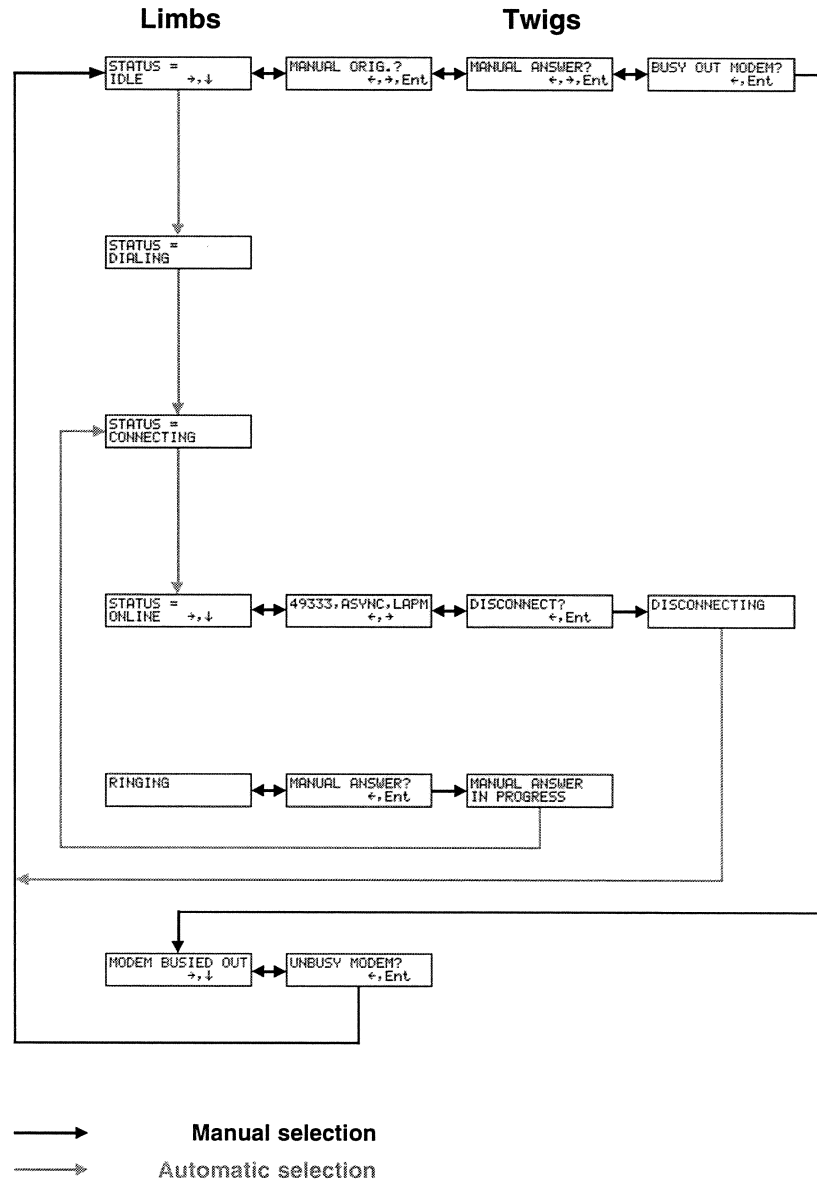
Following is the menu map for the MT5600BL. The settings above are in the Basic Options and Advanced Options Trunks, pp. 16-19.

Menu Overview



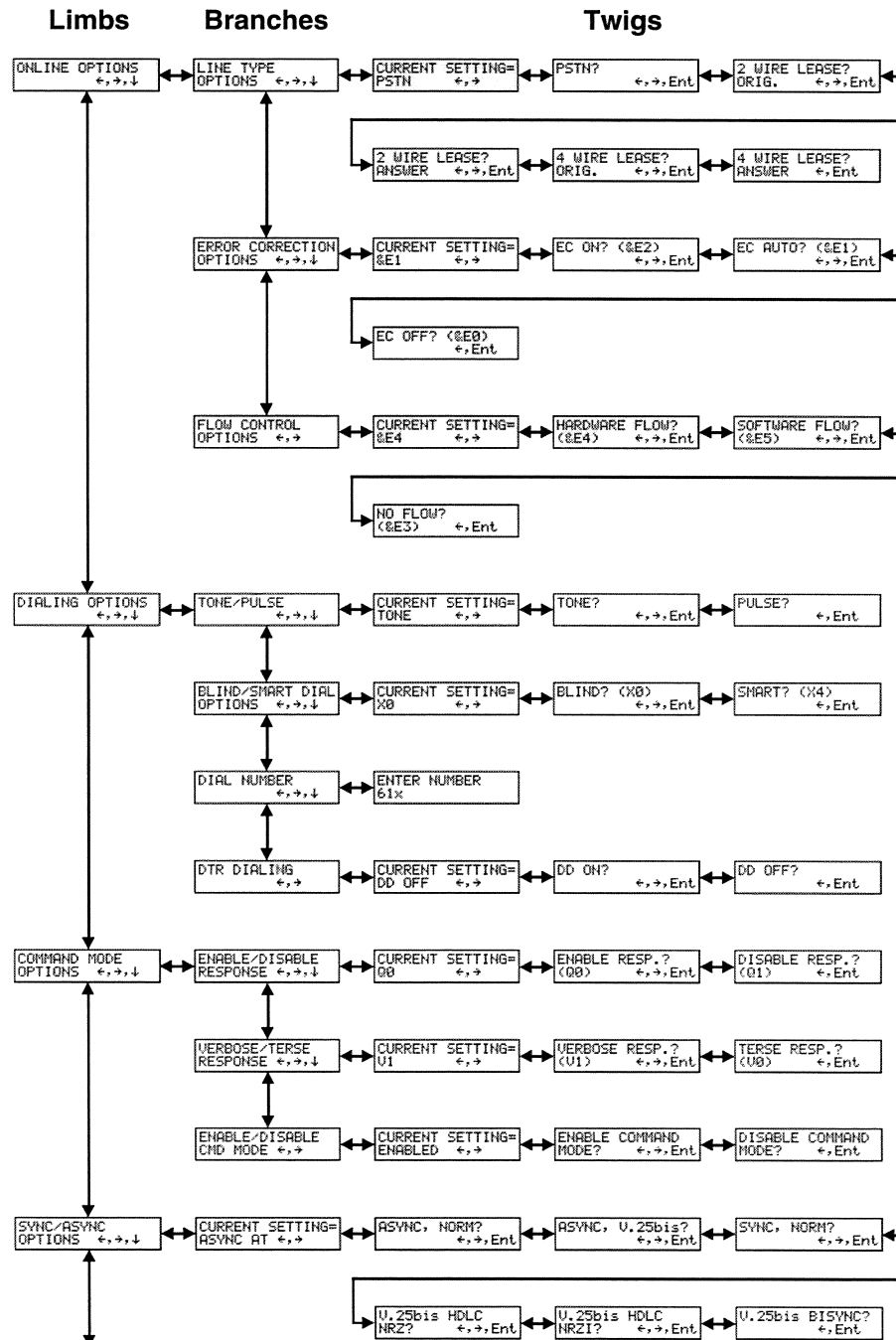
Status Trunk

The Status Trunk shows the current operating status of the modem. Limb changes are automatic, but certain options can be accessed by pressing the → button. Note that when the modem is online, pressing the → button shows the connect status, including the data speed, connection type, and compression type.



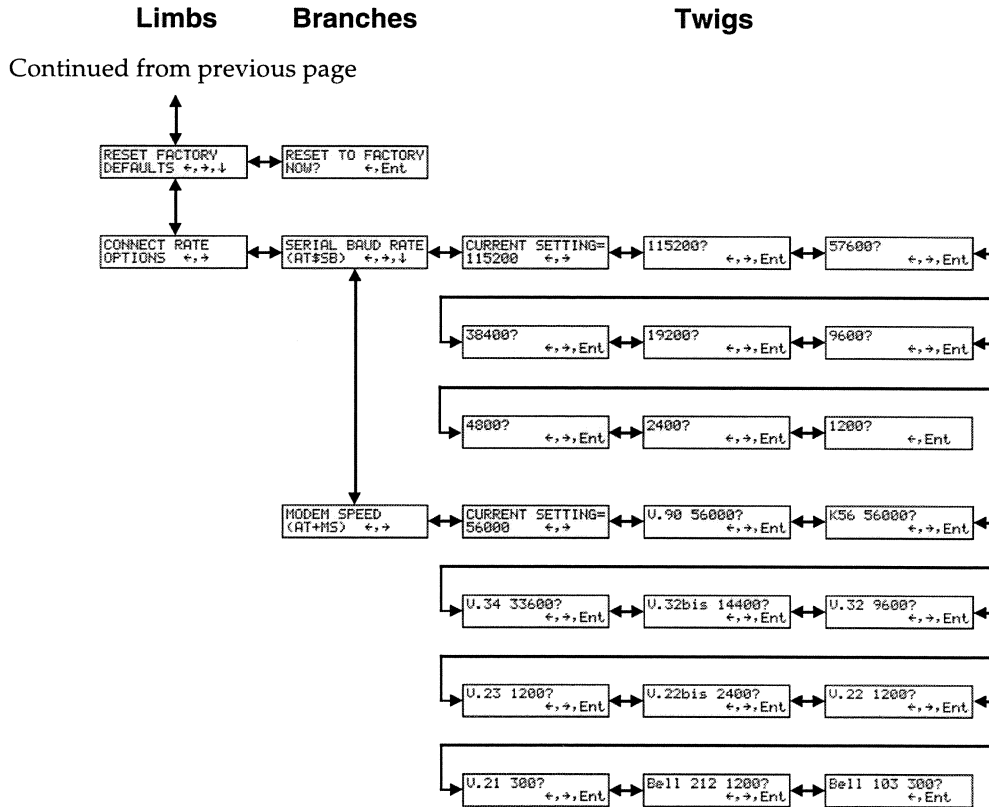
Basic Options Trunk

Use the Basic Options Trunk to configure the modem's basic operating conditions. When entering a number, use the \uparrow and \downarrow buttons to scroll through a list of digits and characters. To go to the next position, press the \rightarrow button. To back up or to exit without dialing, press the \rightarrow button several times.



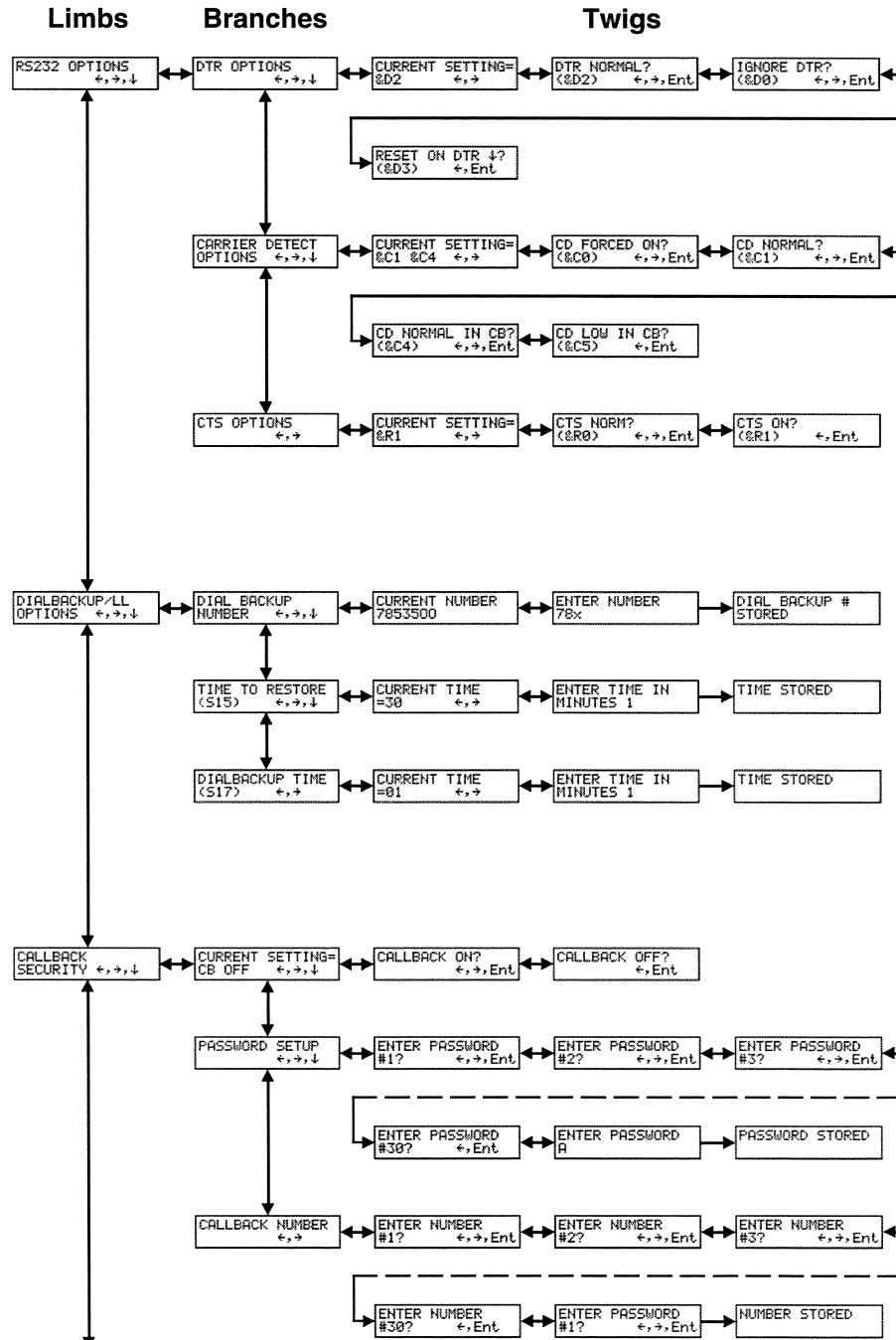
Continued on next page

Basic Options Trunk, continued



Advanced Options Trunk

Use the Advanced Options Trunk to configure RS-232, dial backup, and callback security options. When entering a number or password, use the $\uparrow\leftarrow$ and \downarrow buttons to select a character or digit. To go to the next position, press the \rightarrow button. To back-space or to exit, press the \rightarrow button several times.



Continued on next page

Advanced Options Trunk, continued

