

Model 1047

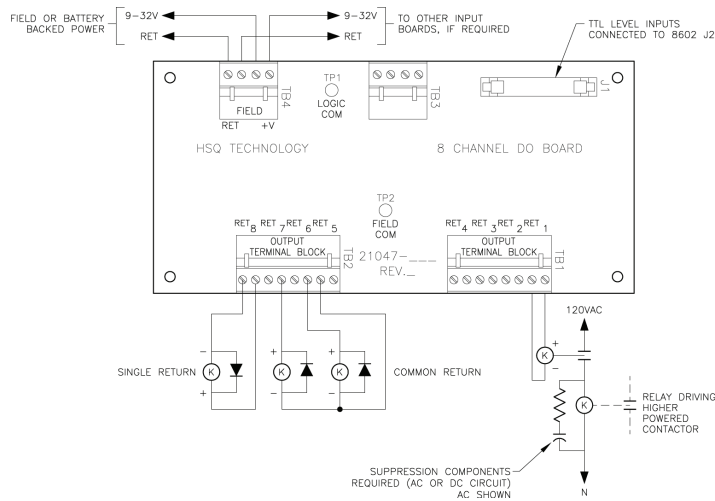
8-Channel Digital DC Output Board



Technical Summary

Key Features

- ◇ I/O Type: Eight Digital Outputs
- ◇ Optical Isolation Between Field and Logic Circuits
- ◇ 200 mA Maximum Output



Model 1047 connection diagram

The HSQ Model 1047 board has eight digital outputs from DC control circuits to the RTU. Each output is optically isolated. LEDs indicate the current status of operations. This board is designed for use with the HSQ 25x86 Logic Processor and connects via ribbon cable. It can be used in combination with other input/output termination boards.

SPECIFICATIONS

Digital Output

- **Channels:** 8 per board with LED display
- **Output Rating:** 9 – 32 V_{DC}, 200 mA maximum

Protection

- **Optical Isolation:** 2500 V_{AC} RMS between field and logic circuits

General

- **Power:** +5 V_{DC} @ 10 mA maximum per channel
9 – 32 V_{DC} @ 200 mA maximum per channel
- **Connections:** Plug-in type barrier terminal block with screw terminals for up to 12 AWG wire

Environment

- **Operating Temperature:** 0° – 60° C (32° – 140° F)
- **Storage Temperature:** -20° – 85° C (-4° – 185° F)
- **Humidity:** 5 – 95% RH (non-condensing)
- **Dimensions:** 184 x 89 x 24 mm (7.25 x 3.5 x 1 in.)
- **Weight:** ~142 g (5 oz.)