

# Model 1046

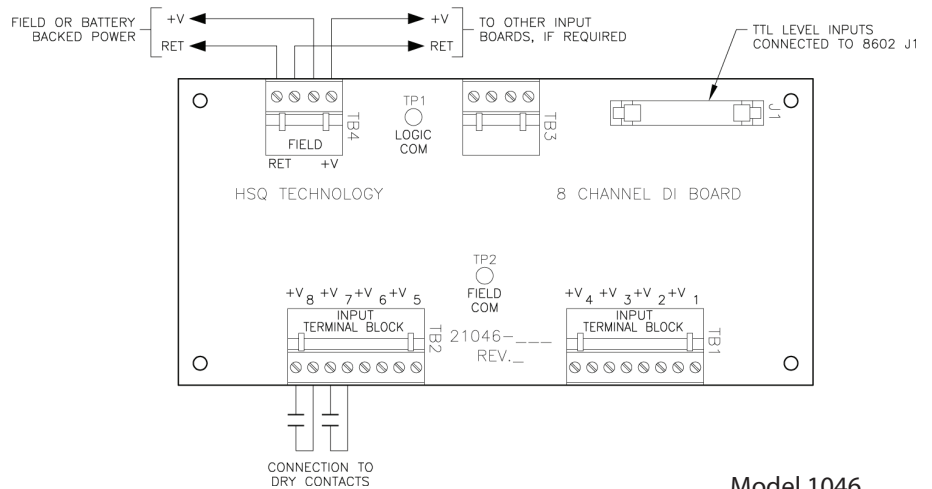
## 8-Channel Digital DC Input Board



## Technical Summary

### Key Features

- ◇ I/O Type: Eight Digital Inputs
- ◇ Optical Isolation Between Field and Logic Circuits
- ◇ RC Noise Filtering



Model 1046  
connection diagram

The HSQ Model 1046 board features eight digital inputs from DC control circuits to the RTU. Each input is optically isolated and provides RC noise filtering. LEDs indicate the current status of operations. This board is designed for use with the HSQ 25x86 Logic Processor and connects via ribbon cable. It can be used in combination with other input/output termination boards.

### SPECIFICATIONS

#### Digital Input

- **Channels:** 8 per board with LED display
- **Input Rating:** 9 – 32 V<sub>DC</sub>

#### Protection

- **Optical Isolation:** 2500 V<sub>AC</sub> RMS between field and logic circuits

#### General

- **Power:**
  - +5 V<sub>DC</sub> @ 2.9 mA maximum per channel
  - +12 V<sub>DC</sub> digital input current @ 6.2 mA maximum per channel
  - +24 V<sub>DC</sub> digital input current @ 3.0 mA maximum per channel
- **Connections:** Plug-in type barrier terminal block with screw terminals for up to 12 AWG wire

#### Environment

- **Operating Temperature:** 0° – 60° C (32° – 140° F)
- **Storage Temperature:** -20° – 85° C (-4° – 185° F)
- **Humidity:** 5 – 95% RH (non-condensing)
- **Dimensions:** 184 x 89 x 25 mm (7.25 x 3.5 x 1 in.)
- **Weight:** ~142 g (5 oz.)